



## OH Fairlead thimbles (round)

OH Marine Equipment has made a new product: OH fairlead thimbles (round). The thimbles can be spliced into control lines and are used to deflect sheets and control lines or for lashings.

They are designed to replace blocks in applications where the line passing through the centre is not constantly moving and can for example be used for backstay or barber haulers.

OH Fairlead thimbles are available in 6 different sizes in black and they are made of high strength aluminium alloy and are HC/hard-anodised.



Article No.	Type	Material	Size mm	Diameter outside	Diameter inside	Width mm	SWL kg	BL kg	Weight g
830120	Fairlead Thimble (round), 20 mm	Aluminium	20 x 10 x 8	20 mm	8 mm	10 mm	450	900	5
830125	Fairlead Thimble (round), 25 mm	Aluminium	25 x 11 x 14	25 mm	14 mm	11 mm	1250	2500	7
830131	Fairlead Thimble (round), 31 mm	Aluminium	31 x 13 x 15	31 mm	15 mm	13 mm	1800	3600	14
830138	Fairlead Thimble (round), 38 mm	Aluminium	38 x 20 x 16	38 mm	16 mm	20 mm	2500	5000	29
830150	Fairlead Thimble (round), 50 mm	Aluminium	50 x 25 x 22	50 mm	22 mm	25 mm	3500	7000	65
830160	Fairlead Thimble (round), 60 mm	Aluminium	60 x 30 x 26	60 mm	26 mm	30 mm	5500	11000	108



## Mainsheet system for KNARR

OH Marine Equipment has made a mainsheet car with track and end stops - designed just for the KNARR-boat. The car and track are constructed in such a way that the specification rules for KNARR are observed.

The mainsheet car is available with sheaves and end caps in black delrin (plan bearing) or ball bearing sheaves and end caps in aluminium and are made on request.



*OH Mainsheet system for KNARR.*

The mainsheet system includes the following:

- 1 x OH Mainsheet car
- 1 x 22 mm track (335 mm)
- 2 x end stops in stainless steel (AISI 316)

If you have questions or need further information, please do not hesitate to contact us:

**OH MARINE EQUIPMENT**  
Moellehaven 5  
DK-4040 Jyllinge  
Denmark

Phone: +45 46730885

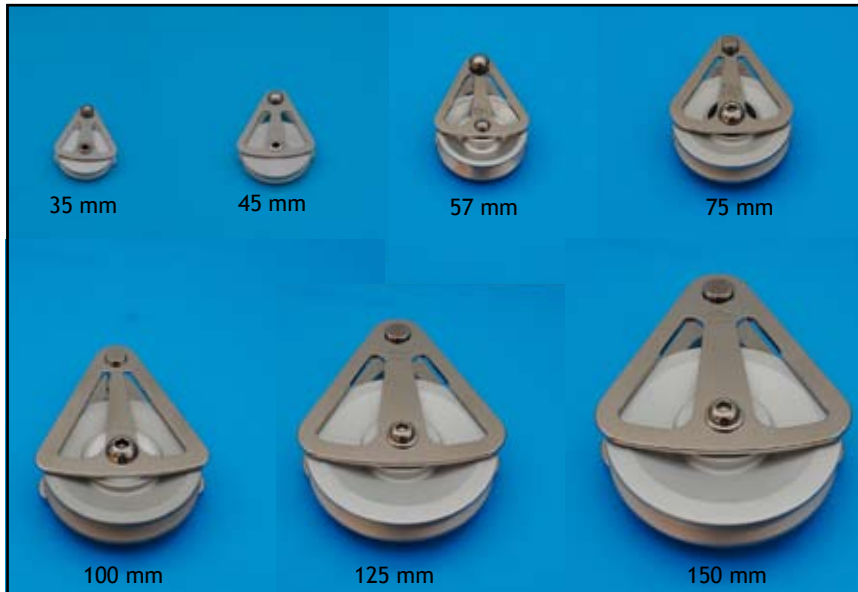
Email: [mail@ohmarine.com](mailto:mail@ohmarine.com)



## Wire blocks

OH Marine Equipment has added some new blocks to the existing High Performance series: Wire blocks. The blocks have plan bearing sheave in aluminium and are available with sheave size 35, 45, 57, 75, 100, 125 & 150 mm.

The wire blocks are supplied in standard polishing or high polished stainless steel on request.



### Block features:

Block side in stainless steel 316

Plan bearing sheave in aluminium

Article No.	Type	SWL kg	BL kg	Sheave tyoe	Sheave size mm	Max wire mm	Length mm	Top type	Weight g
710551	Wire block with aluminium sheave	300	600	Plan bearing	35 x 8	3	54	5 mm pin bolt	40
710651	Wire block with aluminium sheave	500	1000	Plan bearing	45 x 8	4	71	6 mm pin bolt	65
710751	Wire block with aluminium sheave	1000	2000	Plan bearing	57 x 17	5	90	8 mm pin bolt	135
710851	Wire block with aluminium sheave	1500	3000	Plan bearing	75 x 18	6	110	9.5 mm pin bolt	330
710951	Wire block with aluminium sheave	2500	5000	Plan bearing	100 x 22.5	8	151	13 mm pin bolt	720
711151	Wire block with aluminium sheave	3000	6000	Plan Bearing	125 x 22.5	10	194	15 mm pin bolt	1180
711251	Wire block with aluminium sheave	5000	10000	Plan bearing	150 x 25	12	228	18 mm pin bolt	2100



## OH Furling lead blocks

OH Marine Equipment has made furling lead blocks for 25 mm stanchions. The blocks are available with or without swivel and are made in stainless steel 316 with black delrin plan bearing or aluminium ball bearing sheave. The stanchion mount base is included.



OH Furling lead block (delrin) mounted on a stanchion.

Article No.	Type	Sheave size mm	Sheave type	Stanchion mm
010360	Furling lead block, delrin sheave	25 x 12	Delrin plan bearing	25
010361	Furling lead block, aluminium sheave	25 x 12	Aluminium ball bearing	25
010362	Furling lead block with swivel, delrin sheave	25 x 12	Delrin plan bearing	25
010363	Furling lead block with swivel, aluminium sheave	25 x 12	Aluminium ball bearing	25



If you have questions or need further information, please do not hesitate to contact us.



Our High Performance blocks size 45, 57, 75 and 100 are now also available with plan bearing sheaves instead of the standard aluminium ball bearing sheaves. The design is the same as known from our existing High Performance Series - the only difference is the sheave.

Furthermore, we have introduced size 35 - a new size in the High Performance Series. Size 35 is also available with aluminium ball bearing sheaves - please see page 5 in our High Performance catalogue.

The blocks are supplied in standard polishing or high polished stainless steel.



**Max rope:**  
Size 35 - 8 mm  
Size 45 - 10 mm  
Size 57 - 14 mm  
Size 75 - 16 mm  
Size 100 - 22 mm

**SWL / BL (kg):**  
Size 35 - 300 / 600  
Size 45 - 500 / 1000  
Size 57 - 800-1000 / 1600-2000  
Size 75 - 1200-1800 / 2400-3200  
Size 100 - 2800 / 5600

No.010615 / 010814 / 010731

**Block features:**

- Size 35 - Block side in 1 mm stainless steel 316-mounted with rivets
- Size 45 - Block side in 1.5 mm stainless steel 316 - mounted with rivets
- Size 57 - Block side in 2 mm stainless steel 316 - rivets in the top
- Size 75 - Block side in 2.5 mm stainless steel 316 - bolted together with allen screws
- Size 100 - Block side in 3 mm stainless steel 316 - bolted together with allen screws

Plan bearing sheave in black delrin/PET

Top in aluminium (6082 T6)  
natural anodised minimum 25 my



No. 010603 / 010703 / 010803

Article No.	Type	Sheave size mm	Top type
010503 / 603 / 703 / 803 / 903	Single block	35 x 10 / 45 x 12 / 57 x 16 / 75 x 20 / 100 x 25	Swivel with 4 / 5 / 6 / 8 / 10 mm shackle
010504 / 604 / 704 / 804 / 903	Single with becket	35 x 10 / 45 x 12 / 57 x 16 / 75 x 20 / 100 x 25	Swivel with 4 / 5 / 6 / 8 / 10 mm shackle
010509 / 609 / 709 / 809 / 909	Double block	35 X 10 / 45 x 12 / 57 x 16 / 75 x 20 / 100 x 25	Swivel with 4 / 5 / 6 / 8 / 10 mm shackle
010510 / 610 / 710 / 810 / 910	Double with becket	35 x 10 / 45 x 12 / 57 x 16 / 75 x 20 / 100 x 25	Swivel with 4 / 5 / 6 / 8 / 10 mm shackle
010511 / 611 / 711 / 811 / 911*	Single foot block	35 x 10 / 45 x 12 / 57 x 16 / 75 x 20 / 100 x 25	Swivel with 4 / 5 / 6 / 8 / 10 mm shackle
010512 / 612 / 712 / 812 / 912*	Double foot block	35 x 10 / 45 x 12 / 57 x 16 / 75 x 20 / 100 x 25	Swivel with 4 / 5 / 6 / 8 / 10 mm shackle
010614 / 714 / 814 / 914	Fiddle block	45/25 x 12 / 57/32 x 16 / 75/40 x 20 / 100 x 25	Swivel with 5 / 6 / 8 / 10 mm shackle
010615 / 715 / 815 / 915	Fiddle with becket	45/25 x 12 / 57/32 x 16 / 75/40 x 20 / 100 x 25	Swivel with 5 / 6 / 8 / 10 mm shackle
010617 / 717 / 817	Fiddle with cam cleat and becket	45/25 x 12 / 57/32 x 16 / 75/40 x 20	Swivel with 5 / 6 / 8 mm shackle
010519 / 619 / 719 / 819 / 919	Triple block	35 x 10 / 45 x 12 / 57 x 16 / 75 x 20 / 100 x 25	Swivel with 4 / 5 / 6 / 8 / 10 mm shackle
010520 / 620 / 720 / 820 / 920	Triple with becket	35 x 10 / 45 x 12 / 57 x 16 / 75 x 20 / 100 x 25	Swivel with 4 / 5 / 6 / 8 / 10 mm shackle
010621 / 721 / 821	Triple with cam cleat and becket	45 x 12 / 57 x 16 / 75 x 20	Swivel with 5 / 6 / 8 mm shackle
010623 / 723 / 823**	Single block with snap shackle	45 x 12 / 57 x 16 / 75 x 20	Swivel with snap shackle
010730 / 830	Double fiddle block	57/32 x 16 / 75/40 x 20	Swivel with 6 / 8 mm shackle
010731 / 831	Double fiddle with cam cleat and cross block	57/32 x 16 / 75/40 x 20	Swivel with 6 / 8 mm shackle
010734 / 834	Double with cross block	57/32 x 16 / 75/40 x 20	Swivel with 6 / 8 mm shackle

\* Fasteners included

\*\* All blocks with swivel are available with snap shackle





Our High Performance blocks size 35 and 45 are the latest members in the High Performance Series. As the other sizes they are developed with emphasis on design and strength. The blocks have aluminium ball bearing sheaves and are mounted with rivets. Both sizes are available with plan bearing sheaves.

The High Performance blocks size 35 and 45 are supplied in standard polishing or high polished stainless steel.



No. 710624  
No. 710603

No. 710621  
No. 710609  
No. 710604  
No. 710611

No. 710619  
No. 710610  
No. 710612

No. 710617  
No. 710623

No. 710614  
No. 710615

No. 710620

**Block features:**

Size 35 - Block side in 1 mm stainless steel 316

- mounted with rivets

Size 45 - Block side in 1.5 mm stainless steel 316

- mounted with rivets

Ball bearing sheave in

aluminium (6082 T6)

natural anodised minimum 25 my

hub in PET (white)

Article No.	Type	SWL kg	BL kg	Sheave size mm	Max rope	Top type
710503 / 603	Single block	300 / 500	600 / 1000	35 x 10 / 45 x 12	8 / 10	Swivel with 4 / 5 mm shackle
710504 / 604	Single with becket	300 / 500	600 / 1000	35 x 10 / 45 x 12	8 / 10	Swivel with 4 / 5 mm shackle
710509 / 609	Double block	300 / 500	600 / 1000	35 x 10 / 45 x 12	8 / 10	Swivel with 4 / 5 mm shackle
710510 / 610	Double with becket	300 / 500	600 / 1000	35 X 10 / 45 x 12	8 / 10	Swivel with 4 / 5 mm shackle
710511 / 611*	Single foot block	300 / 500	600 / 1000	35 x 10 / 45 x 12	8 / 10	
710512 / 612*	Double foot block	300 / 500	600 / 1000	35 x 10 / 45 x 12	8 / 10	
710614	Fiddle block	500	1000	45/25 x 12	10	Swivel with 5 mm shackle
710615	Fiddle with becket	500	1000	45/25 x 12	10	Swivel with 5 mm shackle
710617	Fiddle with cam cleat and becket	500	1000	45/25 x 12	10	Swivel with 5 mm shackle
710519 / 619	Triple block	300 / 500	600 / 1000	35 x 10 / 45 x 12	8 / 10	Swivel with 4 / 5 mm shackle
710520 / 620	Triple with becket	300 / 500	600 / 1000	35 x 10 / 45 x 12	8 / 10	Swivel with 4 / 5 mm shackle
710621	Triple with cam cleat and becket	500	1000	45 x 12	10	Swivel with 5 mm shackle
710623**	Single block with snap shackle	500	1000	45 x 12	10	Swivel with snap shackle
710624	Single with cam cleat and becket	500	1000	45 x 12	10	Swivel with 5 mm shackle
710675	Back stay block	500	1000	45 x 12	10	6 mm pin bolt
710676	Back stay block with becket	500	1000	45 x 12	10	6 mm pin bolt
710677	Mast foot bloc	500	1000	45 x 12	10	M8 Treading

\* Fasteners (M5) included

\*\* All blocks with swivel are available with snap shackle



## Blocks for boom nok

OH Marine Equipment has made two new High Performance blocks size 57 (single and double), which will make it easier to pull the mainsheet from the cockpit.

If your track and mainsheet traveller are mounted on the roof in front of the sprayhood the single block will make it possible to turn around the mainsheet and you can pull from the end of the boom instead of the roof. Both systems can be maintained by mounting an extra block.

The block consists of a single block with adjustable cam cleat and a fitting in the top for mounting in the groove in the boom. The double block has double cam cleat and is made for endless sheet.

As the other High Performance block sizes the blocks are developed with emphasis on design and strength. The blocks are available with aluminium ball bearing or plan bearing delrin sheave and are supplied in standard polishing or high polished stainless steel.

Article No.	Type	SWL kg	BL kg	Sheave size mm	Max rope mm	Weight g
710725	Single block with cam cleat for boom nok	1300	2600	aluminium ball bearing, 57 x 16	14	540
710727	Double block with double cam cleat for boom nok	1300	2600	aluminium ball bearing, 57 x 16	14	
710726	Single block with cam cleat for boom nok	1300	2600	delrin plan bearing, 57 x 16	14	
710728	Double block with double cam cleat for boom nok	1300	2600	delrin plan bearing, 57 x 16	14	



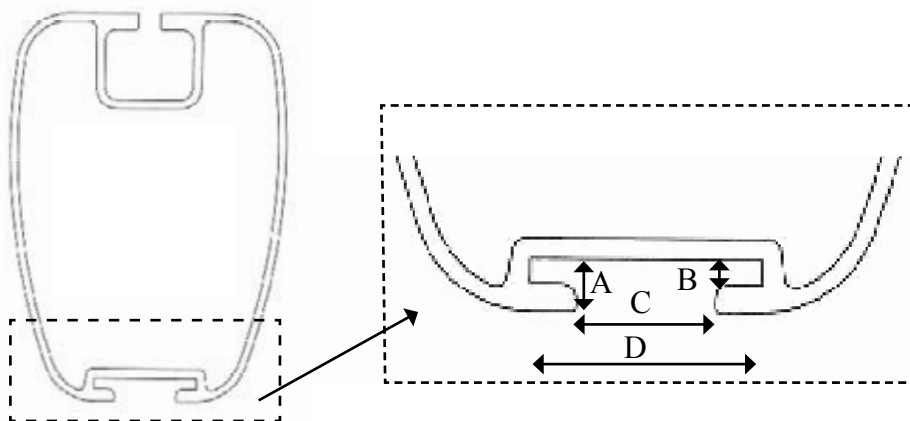
Article no. 710725

### Block features:

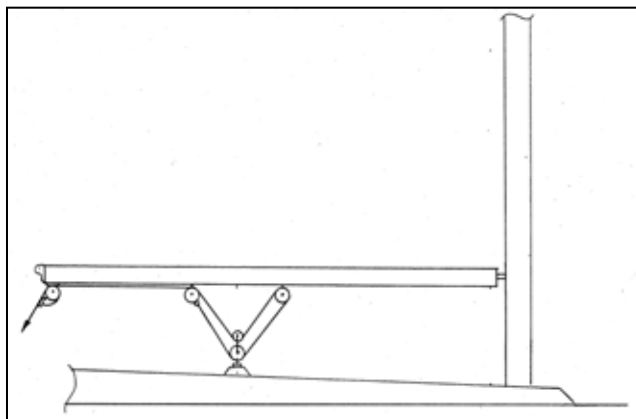
Block side in 2 mm stainless steel 316 bolted together with an allen screw for easy disassembling if needed - rivets in the top

Ball bearing sheave in aluminium (6082 T6) natural anodised (minimum 25 my), hub in PET (white) OR plan bearing sheave in delrin.

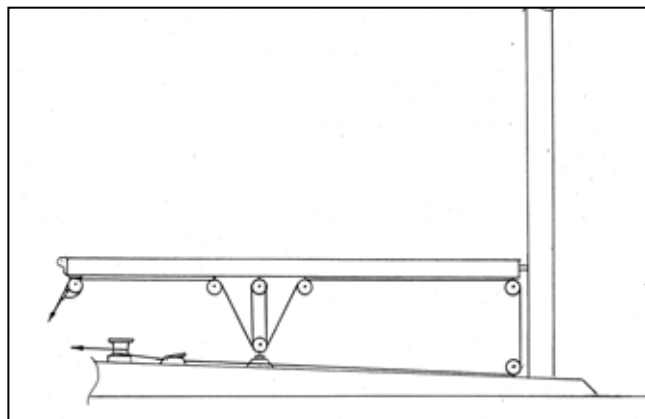
**When ordering a block for boom nok it is very important to give up the 4 measures (A, B, C & D) shown on the drawing below to make sure that the fitting in the top will be made to fit the groove in the boom.**



### Drawings showing how to mount the block:



This is the way to mount the block if you want to use only one system.



This is the way to mount the block if you want the possibility to use both systems. Please notice that you then have to mount an extra block.



## Safety line

For security reasons sailing boats should be equipped with two running lengths of flat safety line, securely and tightly attached to the deck on both sides of the vessel. Life lines are attached to the safety line, allowing the crew to move safely from stem to stern. Sail lines are not recommended for this purpose as their rounded profile can be dangerous when stepped on.

OH Marine Equipment has made a safety line for laying out over the entire length of the boat - allowing complete and secure freedom of movement.

The OH safety line - also known as Jack line - has a fastener in stainless steel in each end for tightening and has a length of 12 m as standard - but can be made in other lengths on request. The line is flat and remains completely flat on deck so not rolling when stepped on. Breaking load 2,500 kg.



OH safety line - article no. 830012

If you have questions or need further information, please do not hesitate to contact us.



## Lazy Jack - 4 lines to boom

### The OH Lazy Jack kit contains:

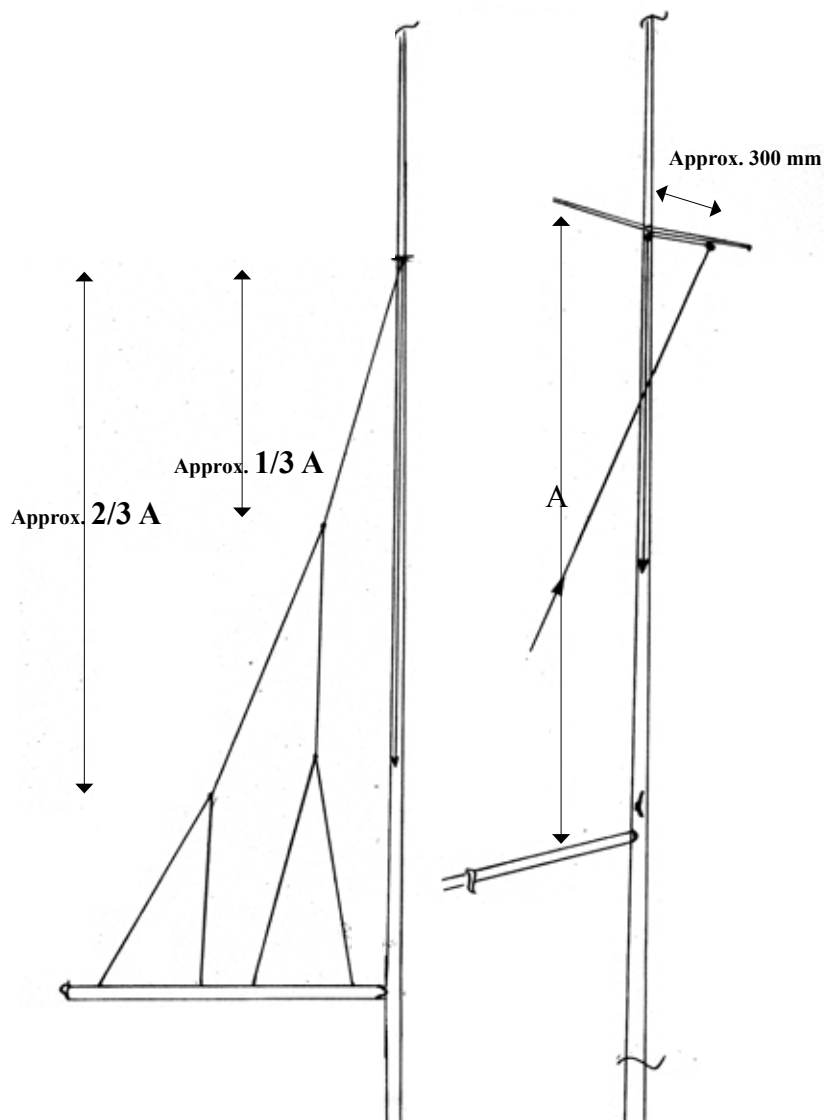
- 2 stand-up blocks
- 8 single blocks
- 10 clips
- 2 cleats
- 60 m line (5 mm)
- 28 screws (M5)
- 1 drill (4.2 mm)
- 1 tap (M5)
- 1 Allen key (3 mm)

For mounting you only need a knife, a lighter and a drilling/screw machine.



OH Lazy Jack kit - article no. 830004

### How to mount the OH Lazy Jack:



If you have questions or need further information, please do not hesitate to contact us.



## Lazy Jack - 3 lines to boom

### The OH Lazy Jack kit contains:

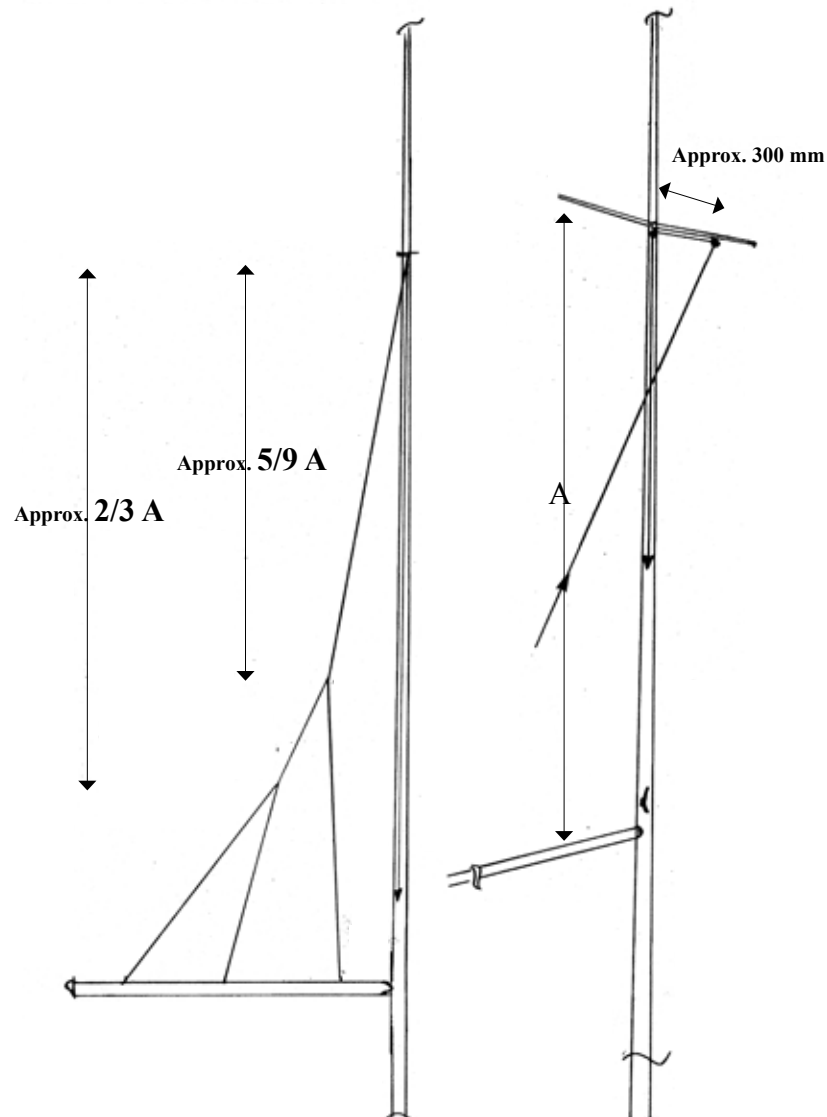
- 2 stand-up blocks
- 6 single blocks
- 8 clips
- 2 cleats
- 50 m line (5 mm)
- 24 screws (M5)
- 1 drill (4.2 mm)
- 1 tap (M5)
- 1 Allen key (3 mm)

*For mounting you only need a knife, a lighter and a drilling/screw machine.*



OH Lazy Jack kit - article no. 830003

### How to mount the OH Lazy Jack:



If you have questions or need further information, please do not hesitate to contact us.

*Our High Performance lead blocks with sheave size 32 and 45 are now also available with plan bearing sheaves instead of the standard aluminium ball bearing sheaves. The blocks have rivets in both ends and are bolted together with allen screws for easy disassembling if needed. The design is the same as known from our existing High Performance Series - the only difference is the sheave.*

*The lead blocks are supplied in standard polishing or high polished stainless steel.*



No. 011001 /011036

**Block features:**

Block side in 2 mm stainless steel 316

Fasteners included

Plan bearing sheave in black delrin

Top/end in black delrin

Article No.	Type	SWL kg (each sheave)	BL kg	Sheaves	Sheave size mm	Max rope mm	Length mm	Width mm	Height mm	Fasteners mm	Weight g
011000	Lead block 2 sheaved	500	1000	2	32 x 16	14	134	35	22	6	
011001	Lead block 3 sheaved	500	1000	3	32 x 16	14	176	35	22	6	
011002	Lead block 4 sheaved	500	1000	4	32 x 16	14	218	35	22	6	
011003	Lead block 5 sheaved	500	1000	5	32 x 16	14	260	35	22	6	
011004	Lead block 6 sheaved	500	1000	6	32 x 16	14	302	35	22	6	
011035	Lead block 2 sheaved	600	1200	2	45 x 16	14	165	48	22	6	
011036	Lead block 3 sheaved	600	1200	3	45 x 16	14	220	48	22	6	
011037	Lead block 4 sheaved	600	1200	4	45 x 16	14	275	48	22	6	
011038	Lead block 5 sheaved	600	1200	5	45 x 16	14	330	48	22	6	
011039	Lead block 6 sheaved	600	1200	6	45 x 16	14	385	48	22	6	



## Headboard car with 3 cars

OH Marine Equipment has made a headboard car with 3 cars instead of the standard 2 cars for 22 mm track.



No. 02326



No. 02327  
No. 02328  
No. 02330  
No. 02331

### Car features:

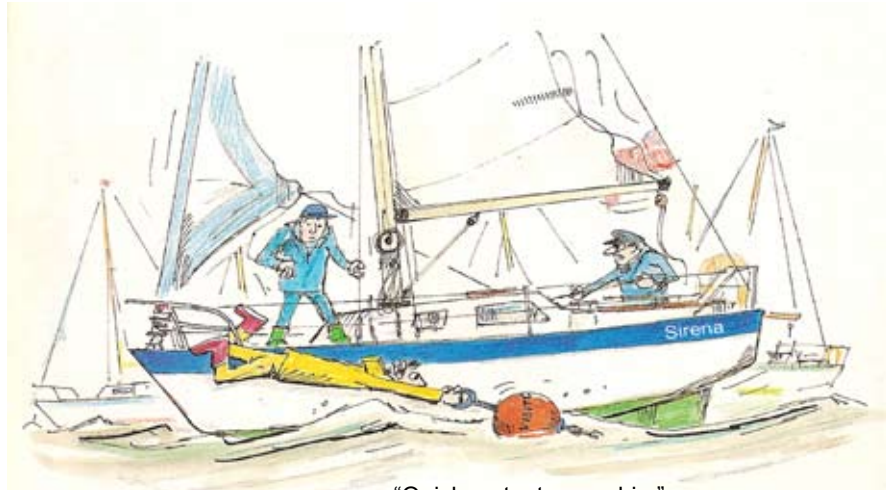
Car body in aluminium (6082 T6)  
Anodised minimum 25 my  
Available in natural or black colour  
End caps in black delrin

Article No.	Type	SWL kg	BL kg	A mm	B mm	Width mm	Length mm	Slide type	Weight g	Track mm
<b>Delrin Balls</b>										
02326	Headboard car with stainless steel holder for headboard, 3 cars	2000	4000			51	345	Delrin Balls	1520	22
02328	Headboard car STRONG with stainless steel holder for headboard	1250	2500			51	205	Delrin Balls	865	22
02330	Headboard car with stainless steel holder for headboard	1000	2000	38	76	51	205	Delrin Balls	655	22
<b>Delrin Rods</b>										
02327	Headboard car STRONG with stainless steel holder for headboard	1375	2750			51	205	Delrin Rods	865	22
02331	Headboard car with stainless steel holder for headboard	1100	2200	38	76	51	205	Delrin Rods	655	22

If you have questions or need further information, please do not hesitate to contact us.



## "Need a hand?"



"Quick, get a turn on him".

## We have the solution!

**A self-locking boathook - easily operated with one hand.**

***Now available in 3 sizes!***



The jaw of the hook.



The fence is pulled back and the jaw of the hook is open.



The fence is released and the jaw of the hook is closed.

The boathook is now available in 3 different sizes (lengths) - 75, 100 and 125 cm - and constructed in such a way that the jaw of the hook closes when the buoy is caught. The jaw is opened by simply using the handle at the top of the rod. The boathook can easily be operated with one hand.

Article No.	Type	Length cm	Weight g
830023	Boathook, 75 cm	75	1100
830024	Boathook, 100 cm	100	1400
830025	Boathook, 125 cm	125	1680